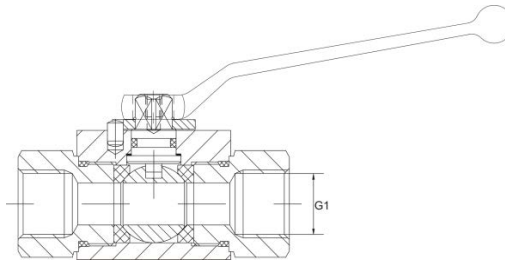


Blockkugelhahn Typ BKH / Ball valve Type BKH

Metrisches Außengewinde mit 24°-Innenkonus.
Male thread 24° on both sides.

Art. Nr.	Bezeichnung Description	R1	G1	WP (bar)
290.001	BKH 06/12	L06	M12x1,5	500
290.002	BKH 08/14	L08	M14x1,5	500
290.003	BKH 10/16	L10	M16x1,5	500
290.004	BKH 12/18	L12	M18x1,5	500
290.005	BKH 15/22	L15	M22x1,5	500
290.006	BKH 18/26	L18	M26x1,5	500
290.008	BKH 22/30	L22	M30x2	400
290.010	BKH 28/36	L28	M36x2	350
290.012	BKH 16/24	S16	M24x1,5	500
290.007	BKH 20/30	S20	M30x2	500
290.009	BKH 25/36	S25	M36x2	400
290.011	BKH 30/42	S30	M42x2	350



Blockkugelhahn Typ BKH...R / Ball valves Type BKH...R

BSP-Innengewinde / with female thread BSP

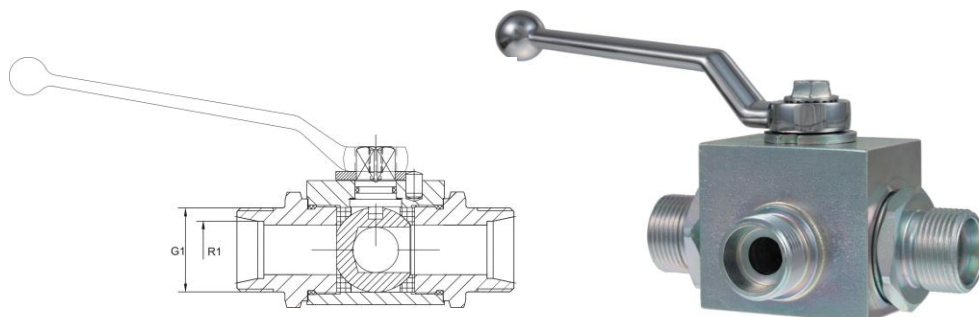
Art. Nr.	Bezeichnung Description	G1	WP (bar)
290.101	BKH 06 R 1/4"	IG G1/4"	500
290.102	BKH 08 R 3/8"	IG G3/8"	500
290.103	BKH 12 R 1/2"	IG G1/2"	500
290.104	BKH 20 R 3/4"	IG G3/4"	400
290.105	BKH 25 R 1"	IG G1"	350



Schalthebel Typ HH.. + HH.. A / Lever for ball valve type HH.. + HH.. A

HH = gerade; HH A = gekröpft

Art. Nr.	Bezeichnung Description	S1
290.311	HH 9	9
290.312	HH 12	12
290.323	HH 14	14
290.321	HH 9 A	9
290.322	HH 12 A	12
290.313	HH 14 A	14



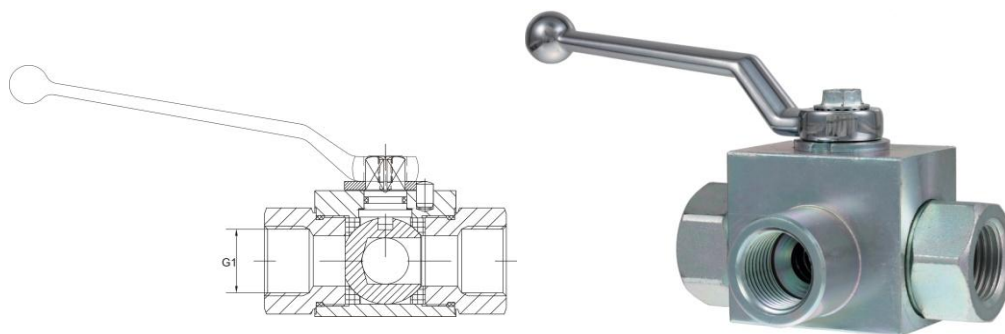
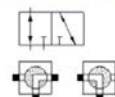
Dreiwegehahn Typ DKH / Three way ball valve Type DKH

Metrisches Außengewinde mit 24°-Innenkonus.

Male thread 24°.

Art. Nr.	Bezeichnung Description	R1	G1	WP (bar)
290.200	DKH 10/16 L	L10	M16x1,5	500
290.201	DKH 12/18 L	L12	M18x1,5	500
290.202	DKH 15/22 L	L15	M22x1,5	500
290.203	DKH 18/26 L	L18	M26x1,5	500
290.204	DKH 22/30 L	L22	M30x2	400
290.206	DKH 20/30 L	S20	M30x2	500
290.207	DKH 25/36 L	S25	M36x2	400
290.205	DKH 30/42 L	S30	M42x2	350

L-Bohrung



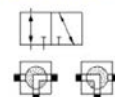
Dreiwegehahn Typ DKH...R / Three way ball valves Type DKH...R

BSP-Innengewinde, L- oder T-Bohrung.

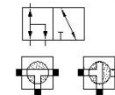
With female thread BSP.

Art. Nr.	Bezeichnung Description	G1	WP (bar)
290.301	DKH 06 R 1/4" L	IG G1/4"	500
290.302	DKH 10 R 3/8" L	IG G3/8"	500
290.303	DKH 12 R 1/2" L	IG G1/2"	500
290.304	DKH 16 R 3/4" L	IG G3/4"	400
290.305	DKH 25 R 1" L	IG G1"	350
290.331	DKH 06 R 1/4" T	IG G1/4"	500
290.332	DKH 10 R 3/8" T	IG G3/8"	500
290.333	DKH 12 R 1/2" T	IG G1/2"	500
290.334	DKH 16 R 3/4" T	IG G3/4"	400
290.335	DKH 25 R 1" T	IG G1"	350

L-Bohrung



T-Bohrung



R1 Rohrgröße / Pipe size
G1 Gewinde / Thread
S1 Schlüsselweite / Hexagon
WP (bar) Betriebsdruck / Working pressure